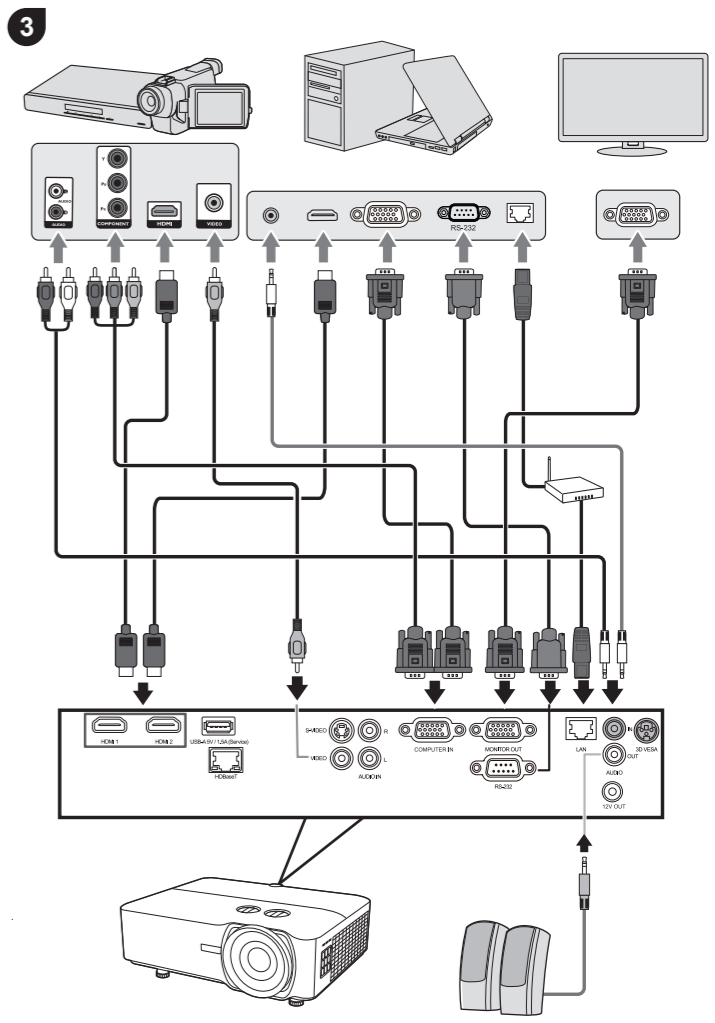
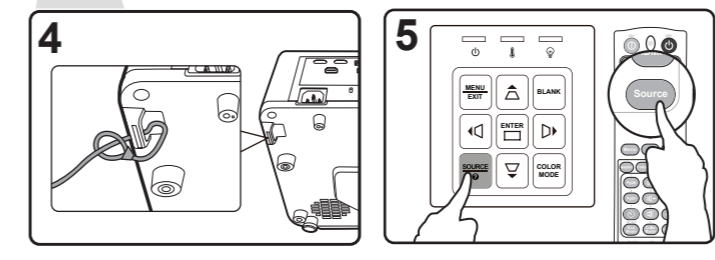
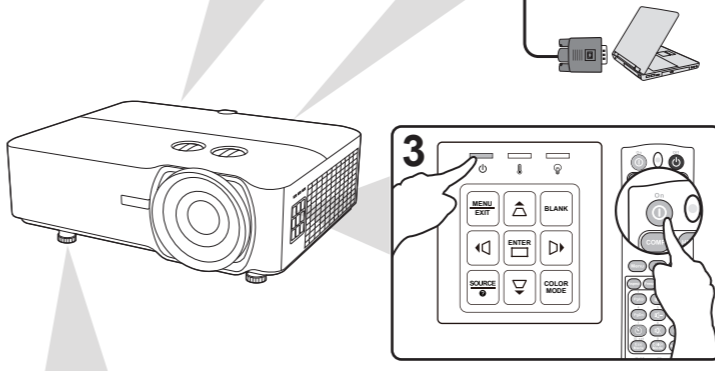
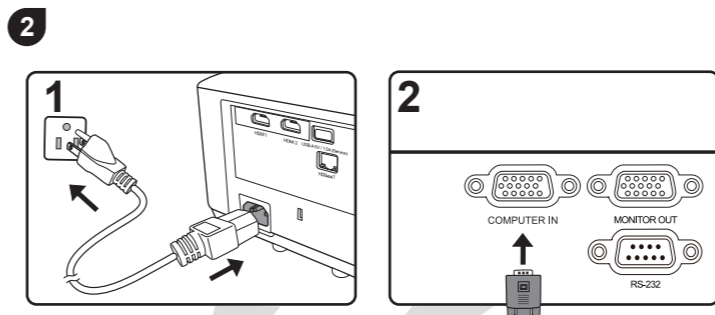
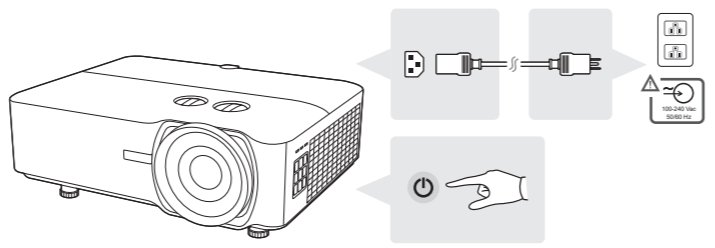
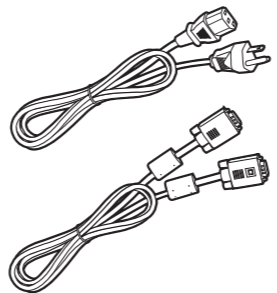
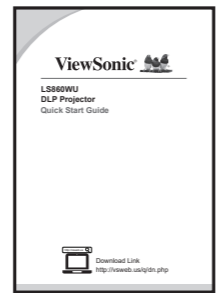
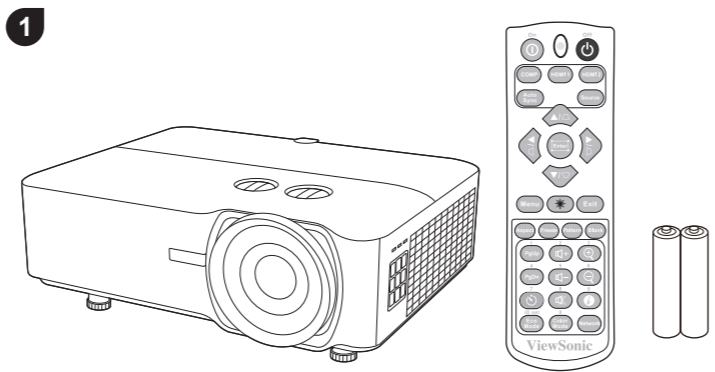




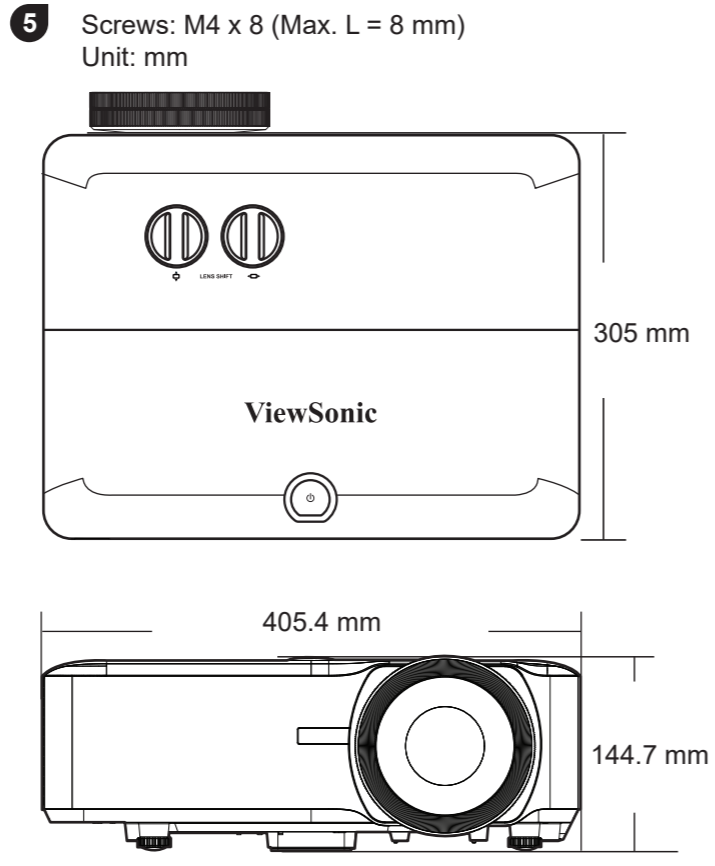
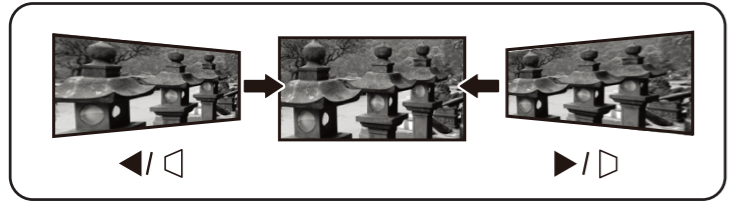
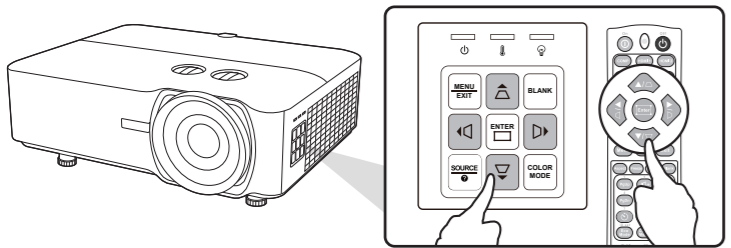
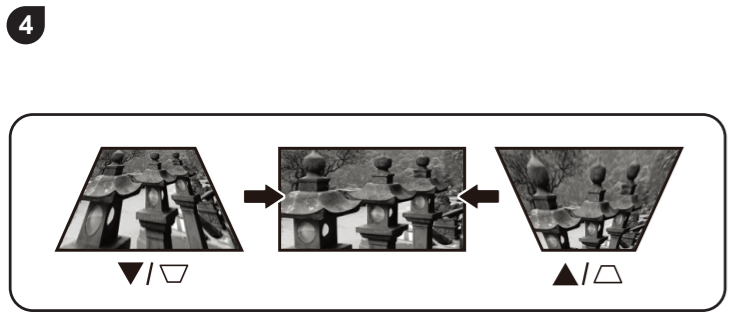
LS860WU
DLP Projector
Quick Start Guide

快速安装说明
快速入門指南
빠른 시작 가이드
クイックスタートガイド
Ръководство за бърз старт
Vodič za brzo pokretanje
Úvodní příručka
Aan de slag
Pika-aloitusopas
Guide de démarrage rapide
Schnellstarthandbuch
Οδηγός γρήγορης εκκίνησης
Első lépések
Guida introduttiva

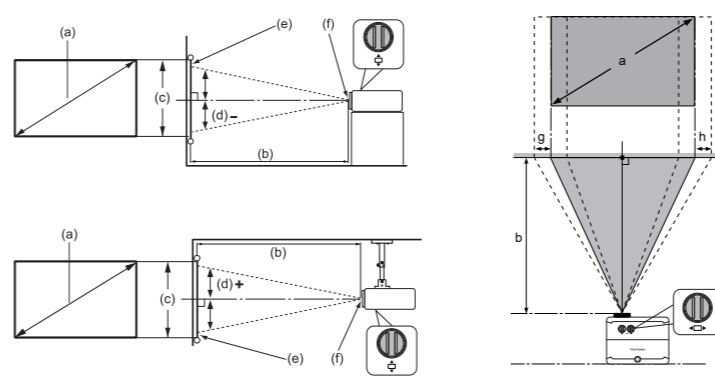
Przewodnik Szybki start
Guia de Inicio Rápido
Ghid de pornire rapidă
краткое руководство по началу работы
Vodič za brzi početak
Priručka so stručným návodom
Vodnik za hitri začetek
Guia de inicio rápido
Snabbstartsguide
Hızlı Başlangıç Kılavuzu
короткий посібник користувача
Panduan Mulai Cepat
دليل البدء السريع



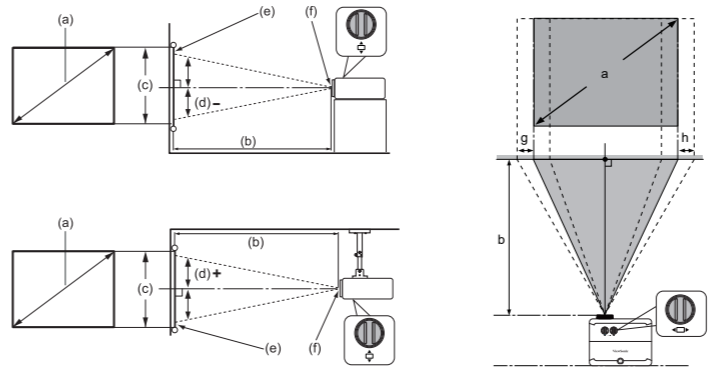
Download Link
<http://vsweb.us/q/dn.php>



• 16:10 image on a 16:10 screen



• 16:10 image on a 4:3 screen



16:10 image on a 16:10 Screen											
(a) Screen Size	(b) Projection distance				(c) Image height		(d) Vertical offset				
	min.		max.		height		min.		max.		
inch	mm	inch	mm	inch	mm	inch	mm	inch	mm	inch	mm
30	762	20	521	23	573	16	404	-8	-202	8	202
40	1016	27	694	30	764	21	538	-11	-269	11	269
50	1270	34	868	38	955	26	673	-13	-337	13	337
60	1524	41	1041	45	1146	32	808	-16	-404	16	404
70	1778	48	1215	53	1336	37	942	-19	-471	19	471
80	2032	55	1389	60	1527	42	1077	-21	-538	21	538
90	2286	61	1562	68	1718	48	1212	-24	-606	24	606
100	2540	68	1736	75	1909	53	1346	-26	-673	26	673
120	3048	82	2083	90	2291	64	1615	-32	-808	32	808
150	3810	102	2603	113	2864	79	2019	-40	-1010	40	1010
200	5080	137	3471	150	3818	106	2692	-53	-1346	53	1346
250	6350	171	4339	188	4773	132	3365	-66	-1683	66	1683
300	7620	205	5207	225	5728	159	4039	-79	-2019	79	2019

16:10 image on a 4:3 Screen											
(a) Screen Size	(b) Projection distance				(c) Image height		(d) Vertical offset				
	min.		max.		height		min.		max.		
inch	mm	inch	mm	inch	mm	inch	mm	inch	mm	inch	mm
30	762	39	982	43	1081	30	762	-15	-381	15.0	381
40	1016	45	1146	50	1261	35	889	-18	-445	17.5	445
50	1270	52	1310	57	1441	40	1016	-20	-508	20.0	508
60	1524	58	1474	64	1621	45	1143	-23	-572	22.5	572
70	1778	64	1637	71	1801	50	1270	-25	-635	25.0	635
80	2032	71	1801	78	1981	55	1397	-28	-699	27.5	699
90	2286	77	1965	85	2161	60	1524	-30	-762	30.0	762
100	2540	84	2129	92	2341	65	1651	-33	-826	32.5	826
120	3048	90	2292	99	2522	70	1778	-35	-889	35.0	889
150	3810	97	2456	106	2702	75	1905	-38	-953	37.5	953
200	5080	103	2620	113	2882	80	2032	-40	-1016	40.0	1016
250	6350	110	2784	121	3062	85	2159	-43	-1080	42.5	1080
300	7620	116	2947	128	3242	90	2286	-45	-1143	45.0	1143

There is 3% tolerance among these numbers due to optical component variations. It is recommended that if you intend to permanently install the projector, you should physically test the projection size and distance using the actual projector in situ before you permanently install it, so as to make allowance for this projector's optical characteristics. This will help you determine the exact mounting position so that it best suits your installation location.

