
4K IP+3G-SDI+HDMI+USB3.0 SERIES

TLC-300-IP-20 20x FHD PTZ Video Camera





TLC-300-IP-20
20x FHD PTZ Video Camera



Telycam TLC-300-IP-20 is a professional grade FHD IP PTZ video camera, support IP, HDMI, SDI and USB3.0 simultaneously output, ideal for broadcast level AV solution, high end video conferencing and video surveillance application.



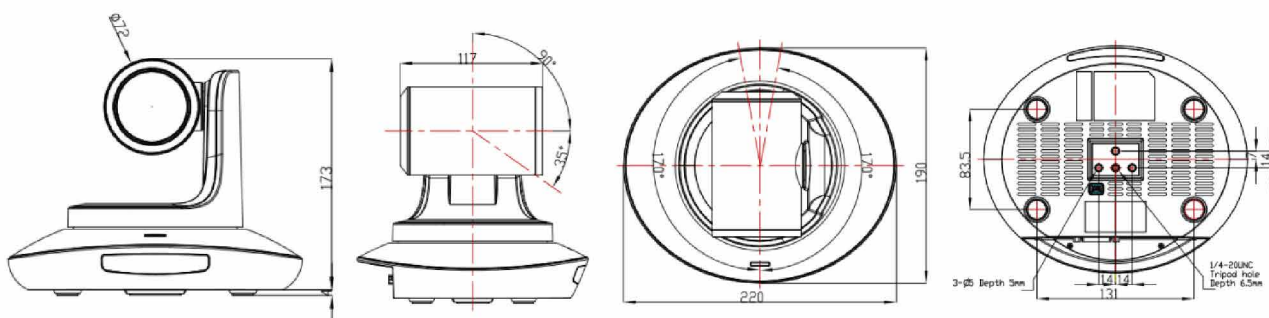
FEATURES

- Adopts most advanced DSP, 1/2.8 inch 5MP sensor;
- 20x Optical Zoom + 2x Digital Zoom, with 61 degree field of view;
- Full HD video over IP, and support H.264, H.265 encoding;
- Support POE: easy to use one RJ45 cable to get video, control and power supply;
- IP, HDMI, SDI, USB outputs, fit for different application;
- Smooth PTZ mechanical design, accurate pan tilt motor control;
- Special Focusing Algorithm: fast and precise focusing performance when zooming or moving;
- WDR, 3D Noise Reduction feature;
- Standard IP VISCA, Serial VISCA, PELCO-P/D control protocol; IP VISCA over TCP/UDP.
- Supplied with functional IR remote controller, can set IP address via OSD menu;
- Automatic access to the IP address;
- 128 presets;
- Image flip function, support upside-down installation;
- Support daisy chain feature
- Support multiple browsers to view video such as IE, Chrome, Firefox, Safari in both Mac and Windows system.

Output Interface



Dimensional Drawing (mm)





TECHNICAL SPEC

Model Number	TLC-300-IP-20			
Sensor	1/2.8 inch, 5mega pixel high quality Sony CMOS sensor			
Video Format	HDMI	IP	USB3.0	SDI
	1920x1080P60/50/30/25 1280x720P60/50/30/25, 1920x1080i60/50	Main stream: 1920x1080P30-1, 1280x720P30-1, Sub stream: 1280x720P30-1 1024x576P30-1 640x360P30-1	USB3.0: 1920x1080P60/50/30/25 1280x720P60/50/30/25, 1024*576P30; USB2.0: 1024x576P30, 960x540P30, 640x360P30, 512x288P30,	1920x1080P60/50/30/25 1280x720P60/50/30/25, 1920x1080i60/50
Zoom	20x optical zoom & 2x digital zoom			
FOV	61°(diagonal)			
F.no.	Wide: F1.5(Wide)~3.0 (Tele)			
Focal Length	f = 5.2(near) ~ 98mm(far)			
Preset	10 via remote controller; 128 via serial port; preset precision:0.1°			
Rotation Angle	Pan: -170° ~ +170°; Tilt: -30° ~ +90°			
Rotation Speed	Pan: 0°~120°/s ; Tilt: 0°~80°/s			
Control Port	RS232 / RS485/RJ45/USB3.0/USB2.0			
Video Port	RJ45/3G-SDI/HDMI/USB3.0/USB2.0			
Network Speed	1000M			
Noise Reduction	2D&3D			
SNR	>50dB			
Minimum LUX	0.01 LUX			
White Balance	Auto / Manual/Auto Tracking/OnePush/Indoor/Outdoor/			
Anti Flicker	50Hz/60Hz/OFF			
D/N Mode	Supported			
Gamma	Supported			
Mirror Image	Supported			
PanTilt Flip	Supported			
Iris	Auto / Manual/			
Electric Shutter	Auto / Manual/			
BLC	Auto / Manual/			
Focus	Auto / Manual/			
Video Encoding	H.264/H.265			
Bit Rate Control	Variable Bit Rate, Constant Bit Rate			
Video Bit Rate	1024Kbps~20480Kbps			
Frames	50HZ:1fps~30fps 60HZ:1fps~30fps			
IP Protocol	TCP/IP, HTTP, RTSP,ONVIF,DHCP, VISCA over IP (TCP&UDP),HTML5			
POE	Supported (IEEE802.3af)			
Input Voltage	DC12V, 2A			
Dimension/Net Weight	220mm×173mm×190mm/1.25KGS (2.8LBS)			