
4K IP+3G-SDI+HDMI+USB3.0 SERIES

TLC-700-IP-35-4K 35X 4K UHD PTZ Video Camera





TELECAM TECHNOLOGY CO.,LTD



Telycam

TLC-700-IP-35-4K

35X 4KUHD PTZ Video Camera



Telycam TLC-700-IP-35-4K is a professional grade 4K Ultra HD video camera, support IP, HDMI, SDI and USB3.0 simultaneously output ; with 35x optical zoom, ideal for broadcast level AV solution, high end video conferencing and video surveillance application.



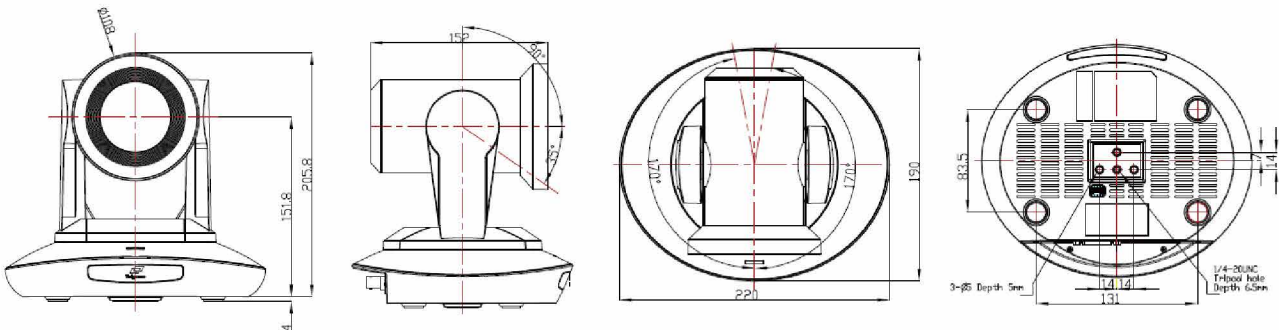
FEATURES

- Adopts most advanced ISP, 1/1.7 inch 12MP sensor, providing 3840x2160 p30 Ultra HD video resolution
- 4K wide angle optical lens: 35x optical zoom , with 60 degree field of view;
- 4K video over IP, H.264, H.265 encoding;
- IP, HDMI, 3G-SDI, USB outputs, fit for different application, 4K video over IP and HDMI optional.
- WDR, 3D Noise Reduction feature;
- Support POE: one single CAT5/6 to get video, control and power supply;
- Special Focusing Algorithm: fast and precise focusing performance when zooming or moving,
- Smooth PTZ mechanical design, accurate pan tilt motor control;
- 128 presets;
- Standard Sony VISCA, IP VISCA, PELCO-P, PELCO-D control protocol; IP VISCA over both TCP and UDP.
- Daisy chain supported.
- Image flip function, support upside-down installation;
- Supplied with functional IR remote controller, can set IP address via OSD menu;
- Support multiple browsers to view video such as IE, Chrome, Firefox, Safari in both Mac and Windows system.

Output Interface



Dimensional Drawing (mm)



TECHNICAL SPEC

Model Number	TLC-700-IP-35-4K			
Sensor	1/1.7 inch, 12mega pixel high quality Sony CMOS sensor			
Video Format	HDMI	IP	SDI	USB3.0
	3840x2160P30/25 1920x1080P60/59.94/50/30/29.97/25/24 1920x1080I60/59.94/50 1280x720P60/59.94/50/30/29.97/25	Main stream: 1920x1080p30-1 3840x2160p30-1 Sub stream: 1280x720p30-1 1024x576p30-1 640x360p30-1	1920x1080p60/59.94/50/30/29.97/25/24 1920x1080i60/59.94/50 1280x720p60/59.94/50/30/29.97/25	USB3.0: 1920x1080P60/50/30/25 1280x720P60/50/30/25 1024x576P30 USB2.0: 1024x576P30 960x540P30,640x360P30 512x288P30,352x288P3
Zoom	35x optical zoom			
FOV	2.02°(near)~60°(far)			
Min. Focus Distance	Wide: 0.3m		Tele: 1.5m	
Preset	10 via remote controller; 128 via serial port; preset precision:0.1°			
Rotation Angle	Pan: -170° ~ +170°; Tilt: -30° ~ +90°			
Rotation Speed	Pan: -170° ~ +170°; Tilt: -30° ~ +90°			
Control Port	RS232 / RS485/RJ45/USB3.0/USB2.0			
Video Port	RJ45/3G-SDI/HDMI/USB3.0/USB2.0			
Network Speed	1000M			
Noise Reduction	2D&3D			
SNR	>50dB			
Focal Length	f = 5.8(near) ~ 203mm(far)			
Minimum LUX	0.01 lux			
White Balance	Auto / Manual/Auto Tracking/OnePush/Indoor/Outdoor/			
Anti Flicker	50Hz/60Hz/OFF			
D/N Mode	Supported			
Gamma	Supported			
Mirror Image	Supported			
Pan/Tilt Flip	Supported			
Iris	Auto / Manual			
Electric Shutter	Auto / Manual			
BLC	Auto / Manual			
Focus	Auto / Manual			
Video Encoding	H.264/H.265			
Bit Rate Control	Variable Bit Rate, Constant Bit Rate			
Video Bit Rate	1024Kbps~20480Kbps			
Frames	50HZ:1fps~50fps 60HZ:1fps~60fps (3840x2160 max. 30fps)			
IP Protocol	TCP/IP, HTTP, RTSP, RTMP, ONVIF, DHCP,VISCA over IP (TCP&UDP),HTML5			
POE	Supported (IEEE802.3af)			
Input Voltage	DC12V, 2A			
Dimension	220mm×173mm×190mm			
Net Weight	1.25KGS (2.8LBS)			

Note :

when HDMI output is 4K. the IP output is 4K, and the SDI and USB outputs have no picture.If you need USB and SDI output image, the HDMI output needs to be 1080p or lower than 1080p resolution.